

PARTS LIST

[XA-SD1]

* All printed circuit boards and its assemblies are not available as service parts.

Area suffix

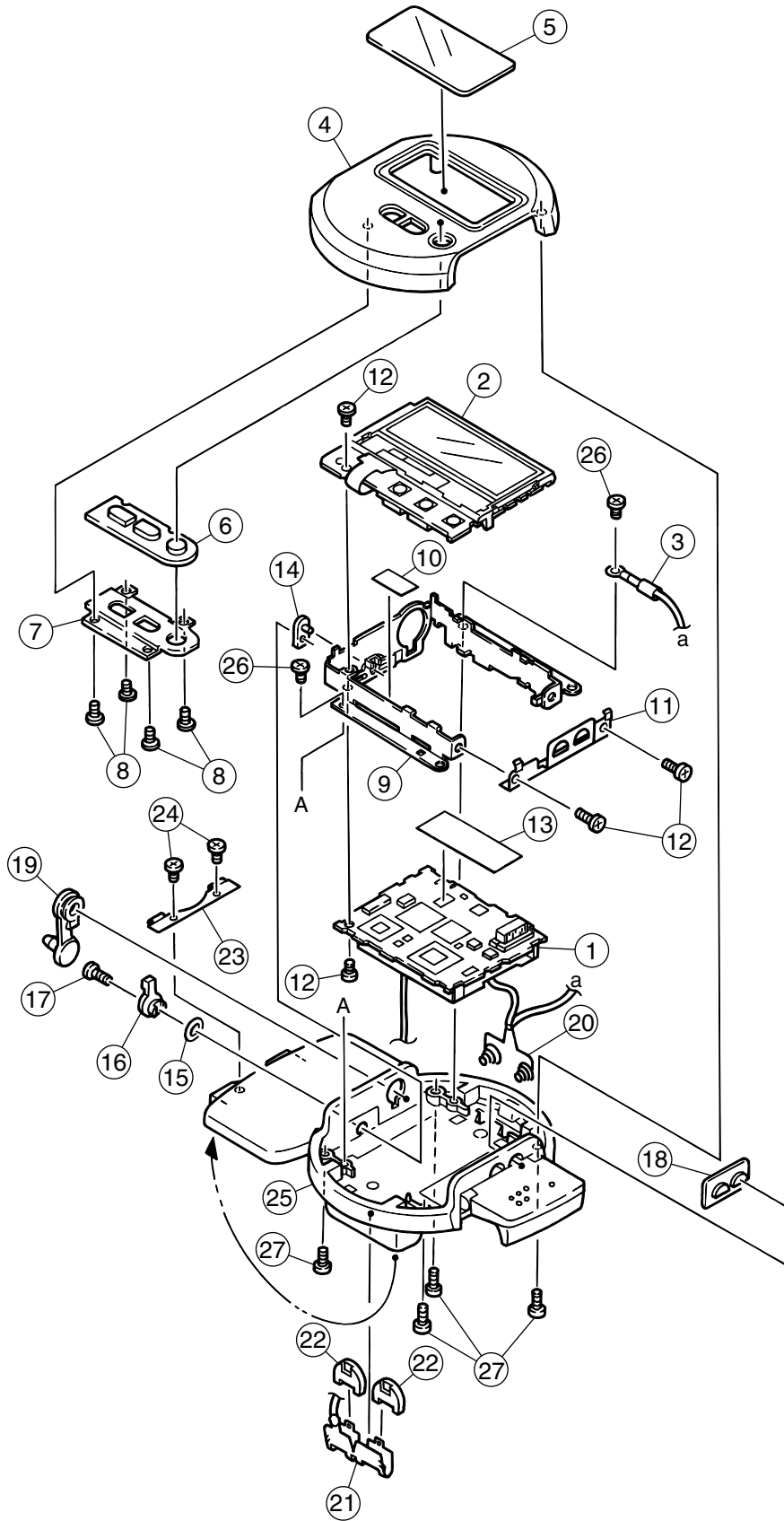
J ----- U.S.A.

- Contents -

Exploded view of general assembly and parts list (Block No.M1)	3-2
Packing materials and accessories parts list (Block No.M3,M5)	3-4

Exploded view of general assembly and parts list

Block No. M 1 M M



Parts list (General assembly)

Block No. M1MM

△	Item	Parts number	Parts name	Q'ty	Description	Area
	1	QAL0313-001	MAIN ASS'Y	1		
	2	QAL0312-001	SUB ASS'Y	1		
	3	QQR1216-001	FERRITE BEADS	1		
	4	LV21031-002A	FRONT CASE	1		
	5	LV42314-001A	LCD LENS	1		
	6	LV32724-001A	FRONT BUTTON	1		
	7	LV42315-002A	FRONT PLATE	1		
	8	LV41215-002A	MINI SCREW	4	FOR FRONT BUTTON	
	9	LV42316-001A	FRAME ASSY	1		
	10	LV30225-073A	SPACER	1	FOR FRAME	
	11	LV32752-001A	SIDE FRAME	1		
	12	LV40501-001A	SPECIAL SCREW	4	FOR PCB,SIDE FRAME	
	13	LV30225-0B4A	SPACER	1		
	14	LV42320-001A	ARM ASSY	1		
	15	LV42326-001A	O RING	1		
	16	LV42324-001A	MODE KNOB	1		
	17	LV40244-001A	MINI SCREW	1	FOR MODE KNOB	
	18	LV42323-001A	VOLUME BUTTON	1		
	19	LV42331-001A	JACK CAP	1		
	20	LV42327-001A	BATT.CONTACT(-)	1		
	21	LV42328-001A	BATT.CONTACT(+)	1		
	22	LV42329-001A	CONTACT CAP	2		
	23	LV42330-002A	LOCK PLATE	1		
	24	QYSPSGT1425N	MINI SCREW	2	FOR LOCK PLATE	
	25	LV32726-002A	REAR CASE UNIT	1		
	26	QYSPSGU1440N	MINI SCREW	2	FOR FRAME	
	27	QYSPSPU1430N	SCREW	4	FOR FRONT&REAR	

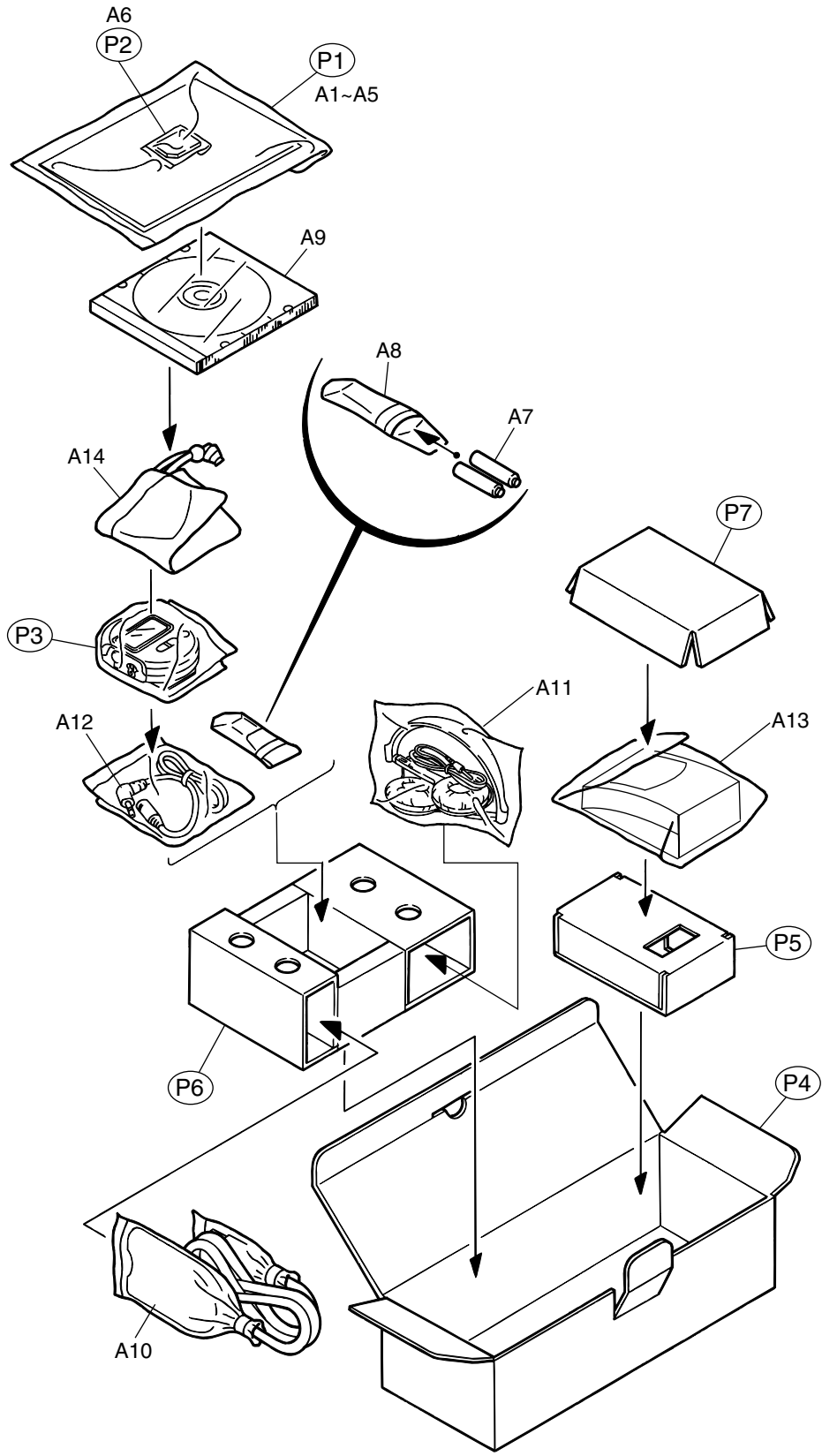
Packing materials and accessories parts list

Block No.

M	3	M	M
---	---	---	---

Block No.

M	5	M	M
---	---	---	---



Parts list (Packing)

Block No. M3MM

△	Item	Parts number	Parts name	Q'ty	Description	Area
	P 1	QPA01502505	ENVELOPE	1	INST BOOK	
	P 2	QPK00601005	POLY BAG	1	MEMRY CARD	
	P 3	LV30245-003A	POLY BAG	1	SET	
	P 4	LV32729-002A	CARTON	1		
	P 5	LV32730-001A	SPACER(A)	1		
	P 6	LV32790-001A	SPACER(B)	1		
	P 7	LV42337-001A	SPACER(C)	1		

Parts list (Accessories)

Block No. M5MM

△	Item	Parts number	Parts name	Q'ty	Description	Area
	A 1	LVT0718-002A	INST BOOK	1	ENG	
	A 2	LVT0719-002A	INST BOOK	1	ENG	
	A 3	BT-51026-1	WARRANTY CARD	1		
	A 4	BT-51020-2	J=REGIST CARD	1		
	A 5	BT-20044G	J=SAFETY INST	1		
	A 6	QAM0372-002	MEMRY CARD	1	64MB	
	A 7	-----	NI-MH BATTERY	1		
	A 8	VJB3046-001	BATTERY BAG	1		
	A 9	QAM0331-002	CD ROM	1		
	A 10	LV42280-002A	SD CARD R/W	1	USB R/W	
	A 11	QAN0022-001	HEAD PHONE	1		
	A 12	QAM0333-001	PLUG CABLE	1		
△	A 13	QAL0305-002	CHARGER	1	AC-R129	
	A 14	LV32289-001A	SOFT CASE	1		